



## FUNCTION

The T-NC transducers detect the displacement of a target facing to the sensor. The different dimensions of the sensor allow its application for the detection of different measuring ranges. They are powered at 24 Vdc and provide a 0÷10 Vdc or 4÷20 mA signal proportional to the displacement. The transducer is used for no-contact measurement of displacement and expansion of rotating machines. The probe structural features allow its installation in a particularly heavy environment, with the presence of steam, oil and aggressive agents (typically on steam turbines, gas turbines, compressors, etc.).

## GENERAL DESCRIPTION

These transducers are composed of a ST-NC/16, ST-NC/20 or ST-NC/30 probe and a CT-CN converter contained in a die-cast aluminium housing, complete with a connector (according to MIL standards) for the connection of the transducer to the acquisition system.

The principle of operation is based on the generation of an high frequency field, radiated by the probe, which induces an eddy current in the target facing to the probe itself. The intensity of this eddy current depends directly on the probe air gap and it is converted into an electrical signal processed by the converter.

The sensor consists of an AISI 304 stainless steel body and it is supplied with a RG142 teflon cable, of a defined length. The converter is manufactured with microprocessor technology to ensure measurement linearity and precision. The generated electrical signal, which depends on the probe positioning air gap, is opportunely linearized during the transducer calibration phase.

The transducer is calibrated foreseeing the AISI 4140 target; in any case, the adopted technology allows its use even at different targets (to be specified).

## TECHNICAL FEATURES

Composition	<ul style="list-style-type: none"> <li>• AISI 304 stainless steel probe</li> <li>• Die-cast aluminium converter</li> </ul>
Power supply	<ul style="list-style-type: none"> <li>• 24 Vdc (20 to 30 Vdc)</li> </ul>
External connections	<ul style="list-style-type: none"> <li>• MIL C5015 5-pin connector (max conductors section 2,5 mm<sup>2</sup>)</li> </ul>
Environmental application field	<ul style="list-style-type: none"> <li>• Probe -50°C to +175°C</li> <li>• Converter -20°C to +70°C</li> </ul>
Measuring field	<ul style="list-style-type: none"> <li>• Model 16      4 mm from 0,5 to 4,5 mm</li> <li>• Model 20      8 mm from 0,5 to 8,5 mm</li> <li>• Model 30      13 mm from 0,5 to 13,5 mm</li> </ul>
Linearity	<ul style="list-style-type: none"> <li>• ± 2%</li> </ul>
Insulation	<ul style="list-style-type: none"> <li>• ≥ 10<sup>8</sup> Ω between signal and body/housing</li> </ul>
Electrical connections	<ul style="list-style-type: none"> <li>• Three-polar shielded cable, typical conductors section 3x1 mm<sup>2</sup></li> </ul>
Possible predispositions to the order	<p><b>SENSOR:</b></p> <ul style="list-style-type: none"> <li>• Measuring field</li> <li>• Cable length</li> <li>• Cable armour</li> <li>• Body length</li> </ul> <p><b>CONVERTER:</b></p> <ul style="list-style-type: none"> <li>• Measuring field</li> <li>• Cable length</li> <li>• 0÷10V or 4÷20 mA output</li> </ul>

# T-NC

## ORDER INFORMATION:

### SENSOR

A B C D

ST-NC/□□/□□/□/□□□

#### A: MEASURING FIELD

16	4 mm
20	8 mm
30	13 mm

#### B: CABLE LENGTH

(step 1 meter - min. 1 meter / max. 10 meters)

05	5 meters (standard)
----	---------------------

#### C: CABLE ARMOUR

0	no
1	yes

#### D: BODY LENGTH

into mm (step 20 mm, starting from 25 mm)

045	45 mm (standard)
-----	------------------

## CONVERTER

A B C

CT-NC/□□/□□/□

#### A: MEASURING FIELD

16	4 mm
20	8 mm
30	13 mm

#### B: CABLE LENGTH

(step 1 meter - min. 1 meter / max. 10 meters)

05	5 meters (standard)
----	---------------------

#### C: OUTPUT SIGNAL

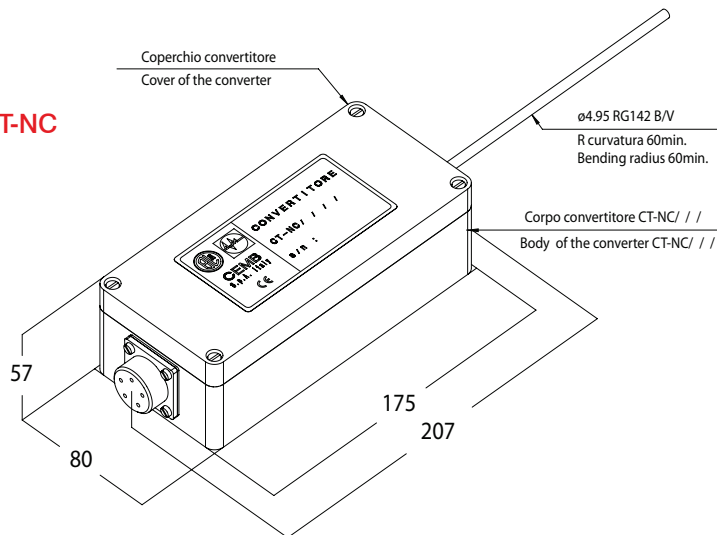
0	0 ÷ 10 Vdc
1	4 ÷ 20 mA

## PURCHASE ORDER EXAMPLE:

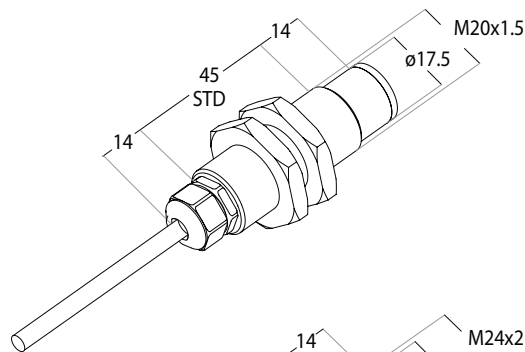
ST-NC/16/05/0/045

16=	Measuring field 4mm
05=	Cable length 5 meters
0=	Not Armoured cable
045=	Body length 45 mm

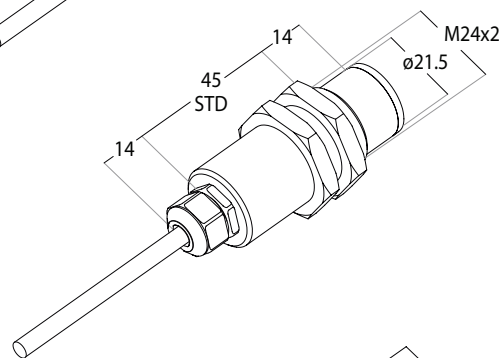
## CONVERTER CT-NC



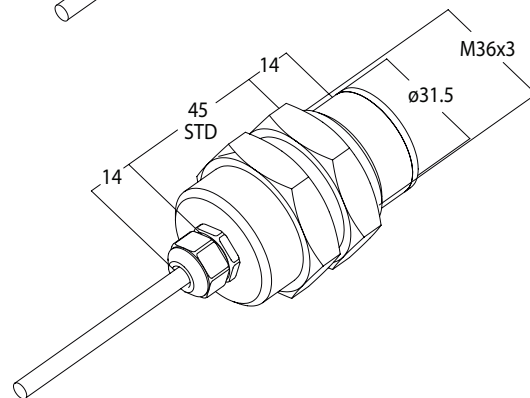
## ST-NC/16 / / /



## ST-NC/20 / / /



## ST-NC/30 / / /



CT-NC/16/05/0

16=	Measuring field 4 mm
05=	Cable length 5 meters
0=	0 ÷ 10 Vdc Output signal



**CEMB S.p.A.**  
Via Risorgimento, 9  
23826 MANDELLO DEL LARIO (LC) Italy  
www.cemb.com



**Vibration analysis division:**  
phone +39 0341 706111  
fax +39 0341 706299  
e-mail: stm@cemb.com

All the data and features mentioned in this catalogue are purely for information and do not constitute any commitment on the part of our company, which reserves the right to make any and all alterations it may consider suitable without notice.