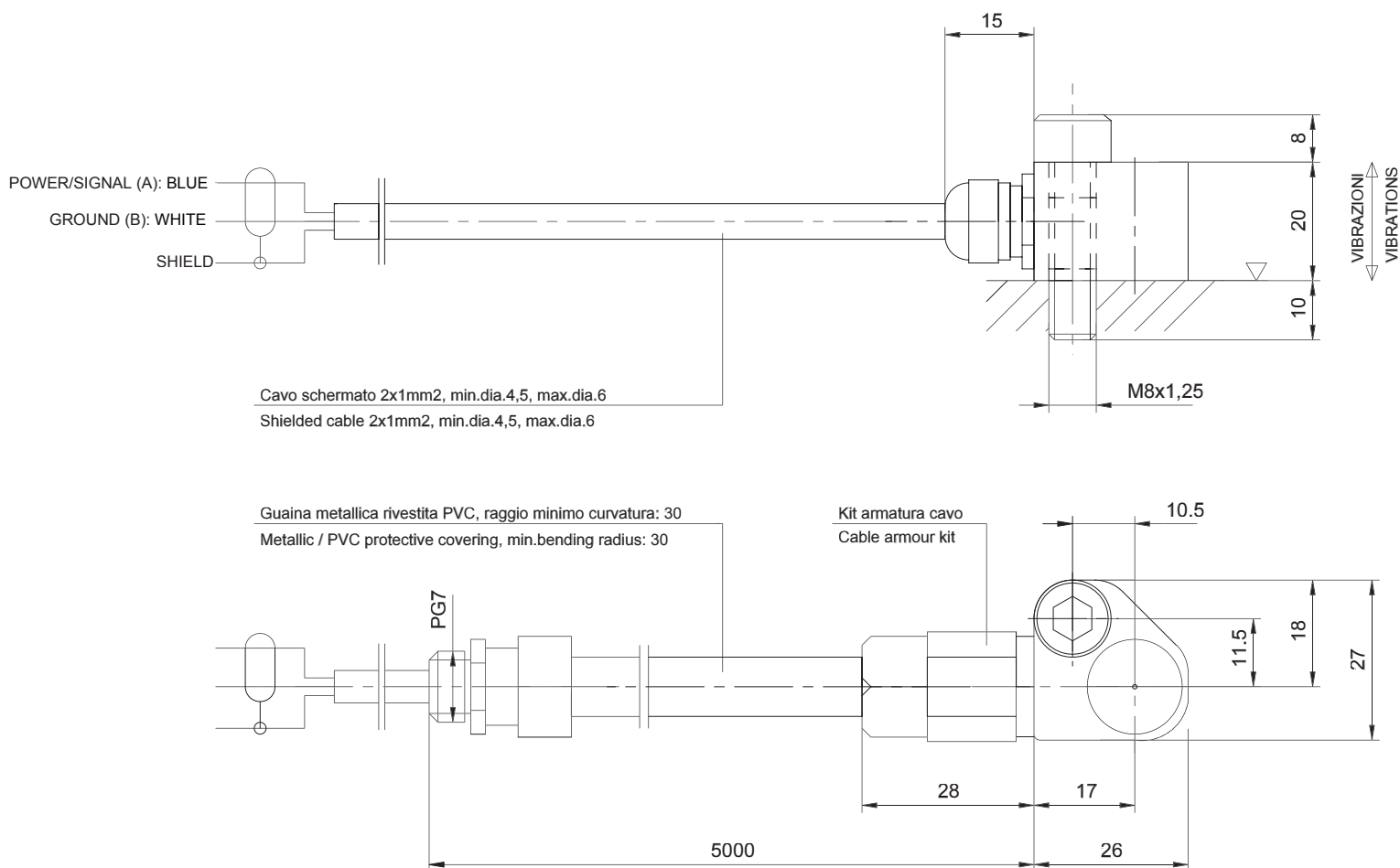




M602

Acceleration transducer



CEMB

BALANCING MACHINES

HOFMANN

Functioning

The M602 transducer picks up seismically the absolute vibrations of the machine by being fitted directly to the vibrating part.

Technical characteristics

Type of measurement :	seismic (absolute vibrations)
Dynamic range :	$\pm 50 \text{ g} - 0.1 \text{ Hz} \div 10.0 \text{ KHz} (\pm 3 \text{ db})$
Direction of vibrations :	any
Sensitivity :	100 mV/g
Transverse sensitivity :	< 5%
Accuracy :	0,0003 g
Resonance frequency :	> 25 KHz
Protection against shocks :	$\pm 7000 \text{ g-pk}$
Power supply :	$2 \div 20 \text{ mA} - 18 \div 28 \text{ V}$
Outlet impedance :	< 100 ohm
Temperature range :	$- 48^{\circ}\text{C} \div + 121^{\circ}\text{C}$
External casing material :	316-L stainless steel
Mounting screws :	M8 x 1.25
Weight :	130 g
Protection against external agents :	CEI 70-1 standard, IP66 class
Connection :	two wires shielded cable

Assembly

Make a threaded hole M8 x 1.25 the surface to be tested.
The surface where the transducer rests must be flat.

Maintenance

Zero.

Dimensions, fixture and connections drawings

as per front page drawing.

CEMB S.p.A.
23826 MANDELLO del LARIO
TEL. (+39) 0341.706111
www.cemb.com
e mail: stm@cemb.com

Div. Strumentazioni Via Risorgimento, 9

Fax (+39) 0341.706.299
Div. Garage Viale Costituzione, 28
Tel. (+39) 0341.700369
Fax (+39) 0341.700725
Training Center Viale Costituzione, 28

