

ACCELEROMETER TRANSDUCER

TA-18/S

The TA-18/S transducers seismically measure absolute machine vibrations by directly fastening the vibrating part on the supports. They provide an output signal directly proportional to the vibration of the point on which they are fastened. This signal can subsequently be processed by a measuring channel of a CEMB "T" or "N" series device.

The TA-18/S transducers exploit the piezoelectric effect, i.e. the capability of a material to provide a difference of potential when mechanically stressed. In this application, a ceramic material subjected to acceleration generates an electrical signal proportional to the stress



TECHNICAL CHARACTERISTICS

GENERAL

Type of measurement	■ seismic (absolute vibration) piezoelectric
Sensitivity	■ 100 mV/g
Response in frequency	■ ± 3 dB 0,5 ÷ 15000 Hz ■ ± 10 % 2 ÷ 10000 Hz
Vibration direction	■ any
Dynamic range	■ ± 50 g pk
Transverse sensitivity	■ < 5 %

ELECTRICAL

Power supply	■ 2 ÷ 10 mA - 18 ÷ 30 Vdc
Output polarization voltage	■ 10-14 Vdc
Output impedance	■ < 100 ohm
Outer casing insulation	■ > 10 ⁸ ohm
Settling time	■ < 2,5 sec.

AMBIENT

Protection against shocks	■ 5000 g pk
Protection against external agents	■ IP68

PHYSICAL

Weight	■ 90 grammi
Resonance frequency	■ 23 kHz
Outer casing material	■ AISI 316-L stainless steel
Retaining screw threading	■ see "dimensions and threads"
Connection	■ MIL-C-5015 2-pin connector provided
Tightening torque	■ 2.7 to 6.8 Nm

TA-18/S

INFORMATION FOR THE ORDER:

A B
TA-18/S / □ / □

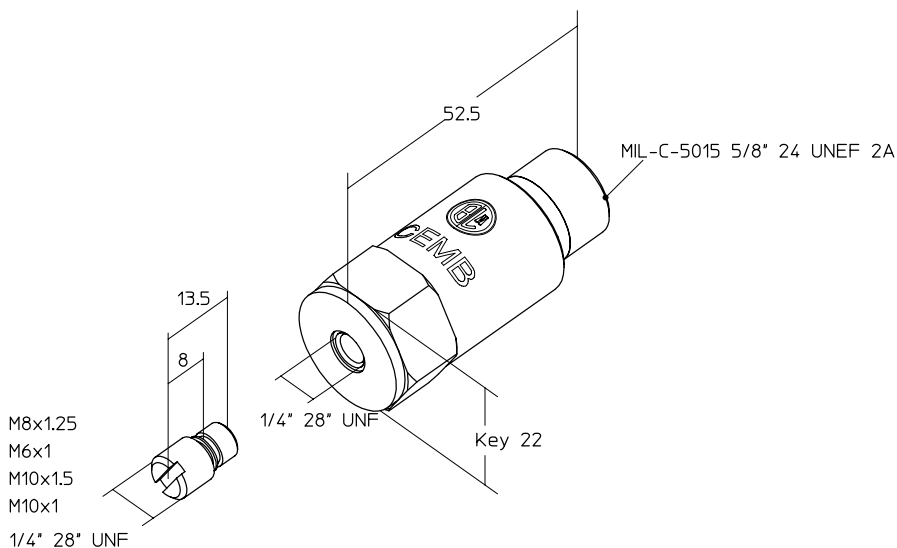
A: RETAINING SCREW

0	1/4" - 28 UNF
1	M8 X 1,25
2	M6 X 1
3	M10 X 1,5
4	M10 X 1

B: TEMPERATURE RANGE

0	STANDARD	-50°C	+121°C
1	HIGH TEMPERATURE	-50°C	+150°C

DIMENSIONS AND THREADS




CABLES AND OPTIONAL ACCESSORIES

CABLES:

	SHIELDED CABLE 2X1 STANDARD C-TA-18 / S / 0 / XX (length in meters)	80419-P
	SHIELDED CABLE ARMURED IN ETFE C-TA-18 / E / 0 / XX (length in meters)	87SEA7952
	SHIELDED CABLE 2X1 WITH METAL JACKET COVERED BY PVC C-TA-18 / A / 0 / XX (length in meters)	95743-P
	SHIELDED CABLE ARMURED IN ETFE WITH SILICON BUMP C-TA-18 / E / 2 / XX (length in meters)	

ONLY CONNECTORS:

	2 PINS STRAIGHT (standard)	597023104
	2 PINS 90°	597023108 + 59070352

TAGS:

	PLASTIC TAG	040STR000
	STAINLESS STEEL TAG	980710835



Hofmann Maschinen- u. Anlagenbau GmbH
Altrheinstraße 11
D-67550 Worms - Rheindürkheim
www.hofmannmaschinen.com

Tel.: +49 (0) 6242 904-113
Fax: +49 (0) 6242 904-286
e-mail: info@hofmannmaschinen.com



All the data and features mentioned in this catalogue are purely for information and do not constitute any commitment on the part of our company, which reserves the right to make any and all alterations it may consider suitable without notice.